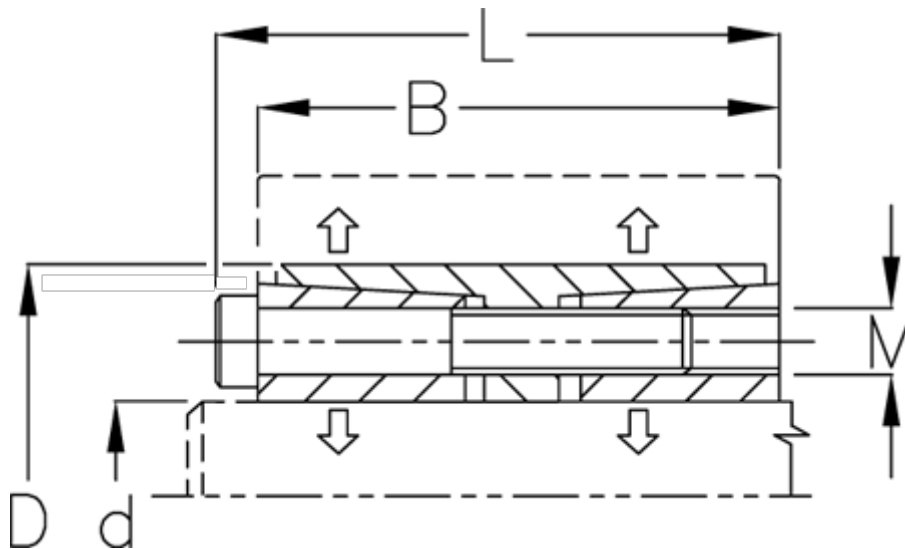


Article number: 4395001101

Description: Rota-fix shaft-hub connection F110x155
Stainless steel

Measures



B mm	= 102
d H8 mm	= 110
D mm	= 155
Fit tolerance	= Aksel h8, Nav H8
F kN torque	= 316.0
L mm	= 114
M mm	= M12
P N/mm ² surface pressure on shaft/hub	= 37

Surface roughness	= R? ? 3.2 μ m
T N m torque	= 17300
Ts N m bolt tightening torque	= 100.0